

PUBLIC WORKS DEPARTMENT

Engineering Division

303 West Commonwealth Avenue, Fullerton, CA 92832-1775

Telephone: 714-738-6845

Website: www.cityoffullerton.com

November 13, 2024

FULLERTON COMMUNITY CENTER EMERGENCY GENERATOR PROJECT NO. 54053

ADDENDUM NO. 1

TO: ALL PLAN AND SPECIFICATION HOLDERS

THIS ADDENDUM, AS DESCRIBED BELOW, IS FOR USE OF CONTRACTORS AND SUBCONTRACTORS SUBMITTING BIDS ON THIS PROJECT. ALL BIDDERS SHALL INDICATE ON THE BID PROPOSAL FORM THAT THEY HAVE RECEIVED THIS ADDENDUM.

GENERAL:

1. Attendance sheet for the non-mandatory pre-bid meeting held on November 7, 2024 is attached.

CHANGES TO THE BID DOCUMENTS:

1. Replace Appendix D with the attached updated Federal Wage Rates dated 11/8/2024.

RESPONSE TO QUESTIONS:

Question #1 – Will the Contractor be providing diesel for the new generator?

Response – City will provide the diesel. Contractor to provide City minimum two (2) week notice of need for fuel.

Question #2 – Can the interior conduit be EMT conduit or does it need to be rigid conduit?

Response – Per plans, all above ground conduit shall be threaded galvanized rigid steel conduit.

Question #3 – Gate Detail 1 on the Civil Plan sheet calls for: "Gate Handle to match existing trash enclosure gate". Can you provide more specifics on this? Attached are some photos of the existing trash enclosure, which doesn't appear to have a gate handle.

Response – See Appendix B for photos of pedestrian gate. Existing gate is located on the east side of project side, between existing block wall and building.



PUBLIC WORKS DEPARTMENT

Engineering Division

303 West Commonwealth Avenue, Fullerton, CA 92832-1775

Telephone: 714-738-6845

Website: www.cityoffullerton.com

Question #4 – Will the contractor be permitted to secure the perimeter of the working area with safety measures/fencing and/or barricades for the duration of the project?

Response – Access to the existing maintenance area (behind the rolling vehicular gate) will be required unless active work is in progress. Closure of this area should be minimized. Closure of the area north of the existing block wall can remain for the project duration with actual limits of closure to be approved by the City. Contractor responsible to address pedestrian path impacts.

Question #5 – Will the City or the Contractor be responsible for fueling the generator? If the GC is responsible, how many fueling trips should be accounted for?

Response – See Question #1

Question #6 – Will the Contractor be responsible for installation of the gas line and connection(s) to the existing system?

Response – See Exhibit attached at the end of the project plan set "Gas Meter & Service Piping Relocation". Work will be completed by both Gas Co. and Contractor. In general, Gas Co. responsible for new piping to meter and meter relocation. Contractor responsible for trenching for Gas Co. piping, new building service piping, reconnections, coordination, etc. downstream of meter.

Question #7 – Aside from the Generator, what materials (if any) are provided by the City?

Response – City is providing generator unit with fuel tank and diesel fuel. For reference and information only, see attached cut sheets.

END OF ADDENDUM



QUOTATION

NO. 230592

3500 Shepherd Street, City of Industry, California 90601
 Box 226789, Los Angeles, California 90022-0744
 (562) 463-6000 Fax: (562) 463-7156

Date: **October 31, 2024**

Page: **1 of 6**

To: Contact: _____
 Company: _____
 Address: _____
 City, Zip: _____
 Phone: _____ Email: _____

Terms: **Net Cash, see T&C's**
 F.O.B. **Jobsite, unloading by others**
 Sales Rep.: **Cameron Early**
 Contact #: **949 395 1127**
 Email: _____

Project Name: 230592 Fullerton Community Center C9 300kW

Qty:	Description	Unit Price	Extension
1	<p>New Caterpillar, Model C9 Diesel Standby Generator Set. Rated 300kW, w/fan, 60Hz, 3Ph, 277/480V at 1800 RPM. <i>Standard Features Include:</i></p> <p>Engine & Generator:</p> <ul style="list-style-type: none"> • Cat® C9ACERT In-line 6, 4-Cycle Turbocharged US EPA Tier-3 Diesel Engine • Alternator Insulation Class H & Temp Rise - 105/40 Deg C • Anti-Condensation Space Heater in the Generator • Integrated Voltage Regulator • AREP Excitation System • Permanent Magnet Generator (PMG) • 800A 100% Rated Main Line Circuit Breaker • 800A Load Bank Circuit Breaker • Passive DPF • Roof Mounted Load Bank <p>Controls:</p> <ul style="list-style-type: none"> • CAT Digital Control Group • Product Link 4G LTE Telematics (Standard equipment, free standard subscription) <p>Enclosure Package:</p> <ul style="list-style-type: none"> • Level-2 Sound Attenuated Weather Enclosure; White • Internal Enclosure LED Lighting <p>Fuel System: Custom tank - See attached cut sheet</p> <ul style="list-style-type: none"> • 1100 Gallon Integral UL142 Diesel Fuel Subbase Tank - Estimated Run Time 48 Hours • Overfill Prevention Valve and 5 Gallon Spill Containment • Normal Vent Extension to 12ft above grade (Shipped Loose) <p>Ancillary Equipment:</p> <ul style="list-style-type: none"> • C9 Block Heater, 1PH 240V, 2000 Watt • 10 Amp Battery Charger • EMCP 4 - RS-485, 16 Light Remote Annunciator Panel • Remote ESTOP Panel <p>Certifications & Warranty:</p> <ul style="list-style-type: none"> • UL2200 Listed Genset Package • SCAQMD & EPA Compliant • IBC Seismic Pre-Approval & Labeling • Complimentary 5 Year Platinum Extended Service Contract • 1 Year Customer Value Agreement (CVA) Preventative Maintenance <p>Start-up & Delivery:</p> <ul style="list-style-type: none"> • Start-up & Commissioning Included (Note: A valid air district permit to operate must be present at time of start-up) • Freight to Job Site Included 		

For Reference Only
Subject to Revision



3500 Shepherd Street, City of Industry, California 90601
Box 226789, Los Angeles, California 90022-0744
(562) 463-6000 Fax: (562) 463-7156

QUOTATION

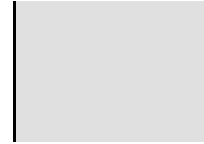
NO. 230592

Date: October 31, 2024

Page: 2 of 6

Optional adders listed below.

Includes standard features as listed in product data sheet and additional accessories as listed herein...





QUOTATION

NO. 230592

3500 Shepherd Street, City of Industry, California 90601
Box 226789, Los Angeles, California 90022-0744
(562) 463-6000 Fax: (562) 463-7156

Date: **October 31, 2024**

Page: **3 of 6**

Accessories and/or modifications

- Initial fill of coolant and lube oil
- (1 set) Operation & Maintenance manuals (electronic copy) * **(additional sets, at additional cost)**
- Factory standard warranty - 2 years from startup service
- Spare Parts * (set of filters)
- Fuel Tank Normal Vent Extension (12'ft above grade) *
- Passive DPF System +
- Radiator Mounted Load Bank ^
- Extended Service Coverage - 5 year / 2500 hour, Platinum w/ \$0 deductible from startup service

QPS field work

- Delivery to jobsite **(offload/crane service by others)**
- Level 1 Startup Service **[incl. generator inspection & transfer test] ~**
- CVA (Preventative Maintenance) – 1 year, Annual
- Basic Demonstration – **[included at no charge, if provided during the time of startup].**
- ** See adder price below for a separate training session****

Not included

- Sales tax
- Air, building or construct permits
- Offloading/crane service of equipment off delivery truck
- Installation, wiring, piping, plumbing or anchoring of equipment
- Diesel fuel, initial fill or for testing

Availability:

- Submittals:** **Estimated** (10 Weeks) on receipt and approval of purchase order. (1 electronic copy) Submittal approval is expected not exceed 60 days, additional time may impacted delivery schedule and equipment price increases.
- Equipment:** **Estimated** (26 Weeks) for factory build time after submittal approval. Subject to change at time of order.
- Modifications:** **Estimated** (Additional time TBD) additional time will vary depending on 3rd party or Quinn shop schedule and scope of work.
- Not included:** Unforeseen factory delays, transit time from factory or vendor and/or delays due to project site readiness.
- ** Equipment prices and lead times are subject to change without notice.****

NOTES, EXCEPTIONS, CLARIFICATION

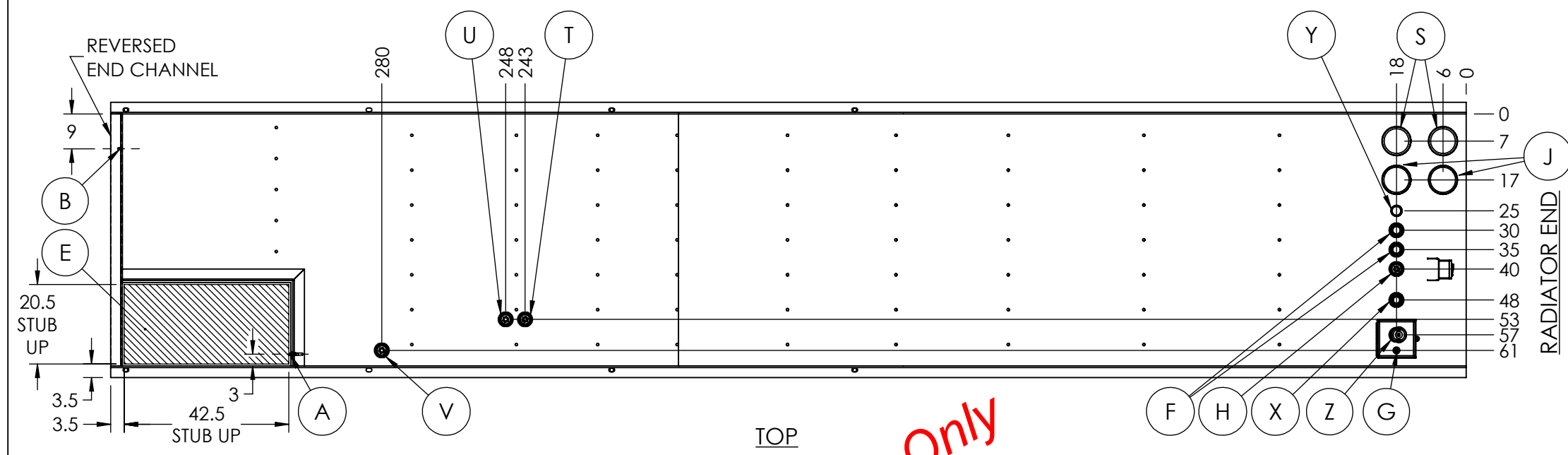
- Quinn Power Systems is not a general, electrical or installing contractor. Providing equipment and services as described above only.
- The equipment offered in this proposal is CAT standard product (with modifications) as listed above based on 1) verbal or written request. No specifications or drawings provided for review. 2) No other written details, plans, specification sections, contract documents, general or supplementary conditions apply to this quotation. Equipment is as stated above, call for any revisions to equipment quoted. Exception taken to anything not included in this proposal and as listed below.
- Quotation does not include any Sales Tax, Air District or Building Permits, Off-loading or Crane Services, Installation or Anchoring, Initial Fuel fill or Test fuel, Major Testing unless otherwise specified in the Bill of Materials.
- Depending on final height of installed generator set, a working platform may be required to access the control panel and maintenance doors. Platforms are not included in this proposal, unless stated above. Call for revised quotation if required.
- Startup/Commissioning Services are provided for CAT factory/QPS supplied equipment only. Scope of work for Startup Services available upon request. Out of Scope services are billed on a Time & Material basis in the field at purchaser's expense. QPS standard labor rates apply. Technician services are provided during normal business hours Monday through Friday.
- Exception taken to any NETA 3rd party or independent testing requirements. Any and all testing as listed above to be provided by QPS technicians.
-
-
-
-
-

JOB #	TANK CAPACITY ACTUAL	TANK CAPACITY USEABLE	TANK WEIGHT	GENSET MODEL	GENSET FOOTPRINT
36315	2644 GAL	2556 GAL	7,000 LBS	GC600 FE	71" X 196"

THE INFORMATION CONTAINED IN THIS DRAWING IS THE SOLE PROPERTY OF GLOBAL POWER COMPONENTS. ANY REPRODUCTION IN PART OR WHOLE WITHOUT THE WRITTEN PERMISSION OF GLOBAL POWER COMPONENTS IS PROHIBITED.

APPROVED BY:

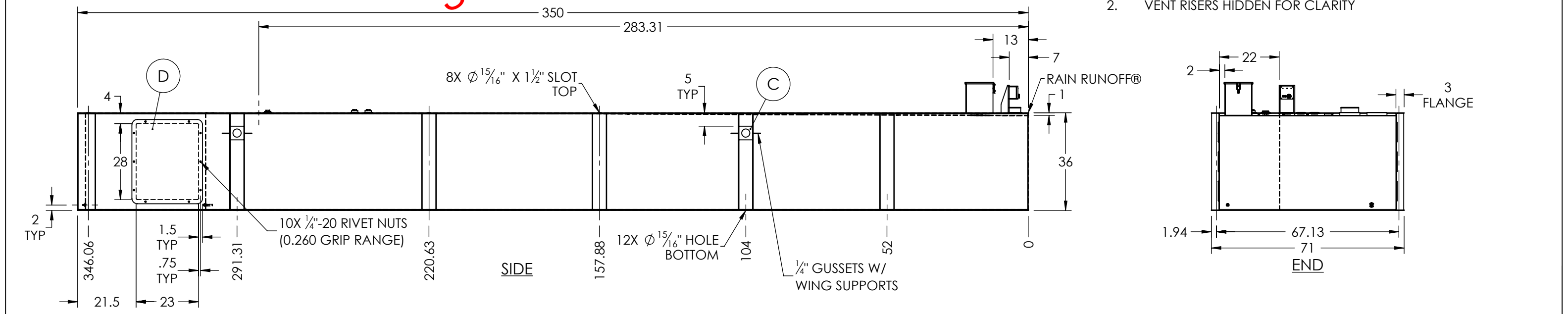
DATE:



For Reference Only
Subject to Revision

BILL OF MATERIALS			
ITEM	PART NUMBER	DESCRIPTION	QTY.
S	3013	H. COUPLING, 6", PIPE, 6", TBE, 105-1/2"L (SHIP LOOSE)	2
	3166	F. COUPLING, 6", EMERGENCY VENT (1 TANK, 1 BASIN)	2
J	3166	H. COUPLING, 6", EMERGENCY VENT (1 TANK, 1 BASIN)	2
T	3660R	FLANGE, 2", FUEL RETURN W/ 1" DIP TUBE	1
U	3660S	FLANGE, 2", FUEL SUPPLY W/ 1" DIP TUBE	1
	700-1075	1" SPRING CHECK VALVE	1
V	1000	FLANGE, 2", LOW LEVEL ALARM (SET AT 19-1/2")	1
X	1002	FLANGE, 2", 2" X 1-1/2" REDUCING BUSHING	1
		SPIRAL FUEL LEVEL GAUGE (SET AT 34")	
Y	3012	H. COUPLING, 2", PIPE, 2", TBE, 110"L (SHIP LOOSE)	1
	3152	2" STANDARD VENT CAP	1
Z	3155MBDS	FLANGE, 2", MORRISON BROTHERS 9095DS O.P.V.	1
	3350	2" SCULLY FILL CONNECTOR	1
A	4306	FUEL IN BASIN ALARM	1
B	3502	FLANGE, 1/2", BASIN DRAIN	1
C	8410	1/2" FLUSH MOUNT LIFTING PLATE	4
D	8002	REMOVABLE STUB UP ACCESS PANEL	1
E	4003	CORNER ELECTRICAL STUB UP AREA	1
F	3195	FLANGE, 2", EXTRA FITTING W/ PLUG	2
G	3190	FLANGE, 3/8", EXTRA FITTING W/ PLUG	1
H	1010	FLANGE, 2", HIGH LEVEL ALARM (SET AT 6-1/2")	1
	1020	CRITICAL HIGH LEVEL ALARM (SET AT 4-3/4")	1
	8200	5 GALLON SPILL CONTAINMENT	1
	AFP2	TWO ALARM FILL PANEL W/RELAYS	1
	AFP2I	MOUNT & WIRE ALARM PANEL BY FILL	1
	3520	RAIN RUNOFF® OPTION	1
DW-101		DOUBLE WALL SECONDARY CONTAINMENT	
PAINT COLOR		GLOSS BLACK (9638)	

- NOTES:
- WELD COUPLINGS LEVEL
 - VENT RISERS HIDDEN FOR CLARITY



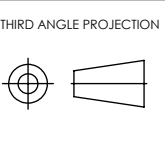
REVISIONS			
REV.	DESCRIPTION	DATE	BY
1	REMOVED (1) TANK E-VENT RISER AND (1) BASIN E-VENT RISER	2/4/22	JDM

GLOBAL POWER COMPONENTS

2300 S. 51st ST
MILWAUKEE, WI 53219
PH 414.475.3000 FAX 414.475.3441
www.globalpowercomponents.com

Underwriters Laboratories Inc. Listed
MH18481
FILE NO. MH46743
MH25279

THE TOLERANCES ARE:
ONE PLACE XX ± .1
TWO PLACE XX ± .05
ANGLE ± .2°
HOLE DIA. ± .005



CUSTOMER NAME: QUINN POWER SYSTEMS
JOB REFERENCE: 220006 / GOLD BAR / CE16029-CE16032
DRAWING REFERENCE: X

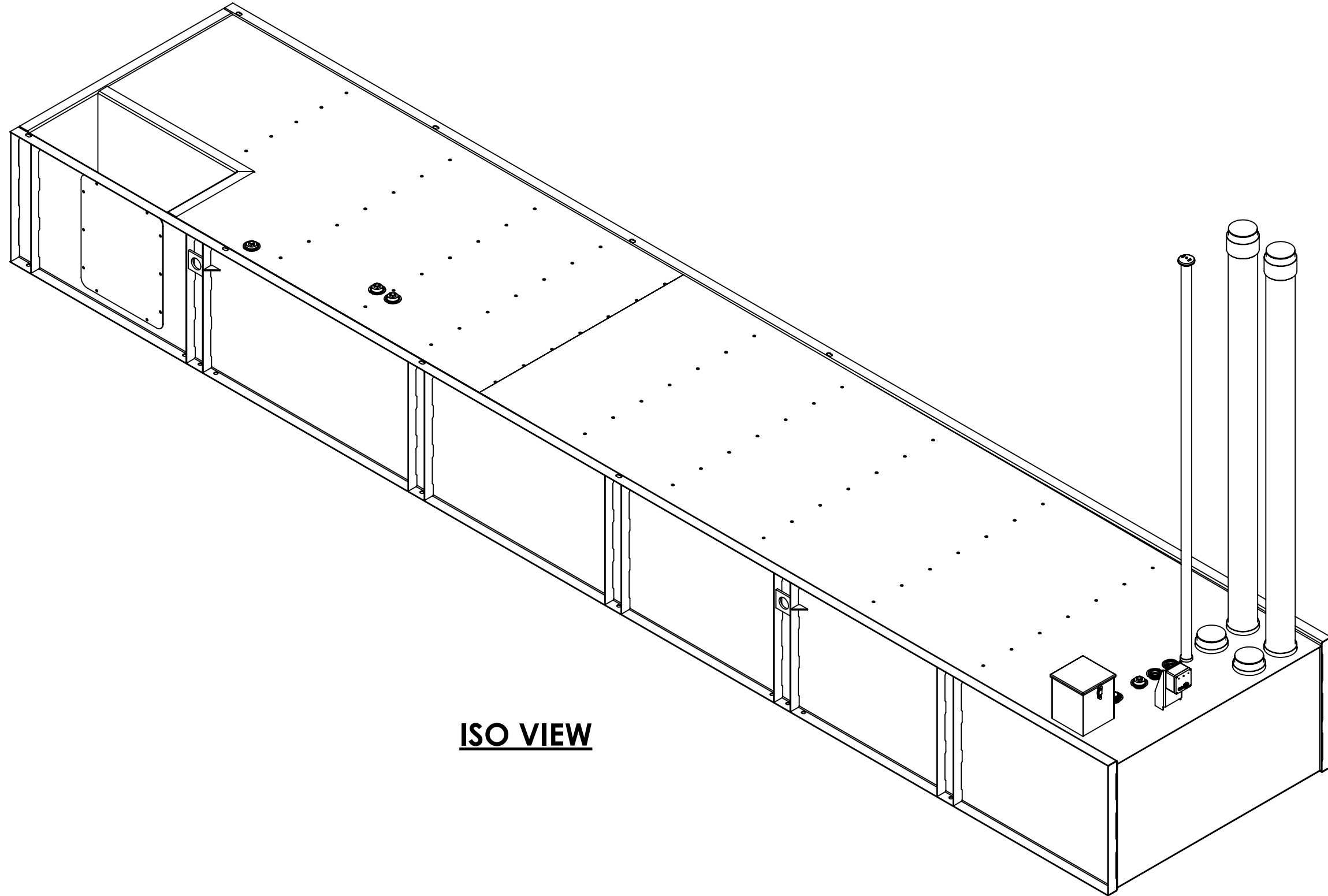
DATE	1/31/2022	DESCRIPTION	SUBBASE TANK WITH RUPTURE BASIN & NOTCHED CORNER STUB UP	
DRAWN BY	JDM	SIZE	B	REV. 1
SCALE	1:35	DWG. NO.	15-36315	SHEET 2 OF 7

JOB #
36315

THE INFORMATION CONTAINED IN THIS DRAWING IS THE SOLE PROPERTY OF GLOBAL POWER COMPONENTS. ANY REPRODUCTION IN PART OR WHOLE WITHOUT THE WRITTEN PERMISSION OF GLOBAL POWER COMPONENTS IS PROHIBITED.

APPROVED BY:

DATE:



ISO VIEW

	2300 S. 51st ST MILWAUKEE, WI 53219 PH 414.475.3000 FAX 414.475.3441 www.globalpowercomponents.com	Underwriters Laboratories [®] Inc. Listed MH18481 FILE NO. MH46743 MH25279	THIRD ANGLE PROJECTION 	CUSTOMER NAME: QUINN POWER SYSTEMS	DATE 1/31/2022	DESCRIPTION SUBBASE TANK WITH RUPTURE BASIN ISO VIEW		
				JOB REFERENCE: 220006 / GOLD BAR / CE16029-CE16032	DRAWN BY JDM	SIZE B	DWG. NO. 15-36315	REV. 1
				DRAWING REFERENCE: X	SCALE: 1:25	SHEET 3 OF 7		

APPENDIX D

FEDERAL WAGE RATES

"General Decision Number: CA20240024 11/08/2024

Superseded General Decision Number: CA20230024

State: California

Construction Types: Building, Heavy (Heavy and Dredging) and Highway

County: Orange County in California.

BUILDING CONSTRUCTION PROJECTS; DREDGING PROJECTS (does not include hopper dredge work); HEAVY CONSTRUCTION PROJECTS (does not include water well drilling); HIGHWAY CONSTRUCTION PROJECTS

Note: Contracts subject to the Davis-Bacon Act are generally required to pay at least the applicable minimum wage rate required under Executive Order 14026 or Executive Order 13658. Please note that these Executive Orders apply to covered contracts entered into by the federal government that are subject to the Davis-Bacon Act itself, but do not apply to contracts subject only to the Davis-Bacon Related Acts, including those set forth at 29 CFR 5.1(a)(1).

<p>If the contract is entered into on or after January 30, 2022, or the contract is renewed or extended (e.g., an option is exercised) on or after January 30, 2022:</p>	<ul style="list-style-type: none"> . Executive Order 14026 generally applies to the contract. . The contractor must pay all covered workers at least \$17.20 per hour (or the applicable wage rate listed on this wage determination, if it is higher) for all hours spent performing on the contract in 2024.
<p>If the contract was awarded on or between January 1, 2015 and January 29, 2022, and the contract is not renewed or extended on or after January 30, 2022:</p>	<ul style="list-style-type: none"> . Executive Order 13658 generally applies to the contract. . The contractor must pay all covered workers at least \$12.90 per hour (or the applicable wage rate listed on this wage determination, if it is higher) for all hours spent performing on that contract in 2024.

The applicable Executive Order minimum wage rate will be adjusted annually. If this contract is covered by one of the Executive Orders and a classification considered necessary for performance of work on the contract does not appear on this wage determination, the contractor must still submit a conformance request.

Additional information on contractor requirements and worker protections under the Executive Orders is available at <http://www.dol.gov/whd/govcontracts>.

Modification Number	Publication Date
0	01/05/2024
1	01/12/2024
2	01/26/2024
3	02/02/2024
4	02/09/2024
5	02/23/2024
6	03/08/2024
7	05/24/2024
8	06/28/2024
9	07/05/2024
10	07/12/2024
11	08/09/2024
12	08/16/2024
13	08/23/2024
14	09/06/2024
15	09/13/2024
16	09/20/2024
17	10/18/2024
18	11/08/2024

ASBE0005-002 09/01/2023

	Rates	Fringes
Asbestos Workers/Insulator (Includes the application of all insulating materials, protective coverings, coatings, and finishes to all types of mechanical systems).....	\$ 49.58	25.27
Fire Stop Technician (Application of Firestopping Materials for wall openings and penetrations in walls, floors, ceilings and curtain walls).....	\$ 36.97	20.36

ASBE0005-004 07/04/2022

	Rates	Fringes
Asbestos Removal worker/hazardous material handler (Includes preparation, wetting, stripping, removal, scrapping, vacuuming, bagging and disposing of all insulation materials from mechanical systems, whether they contain asbestos or not)....	\$ 23.52	13.37

* BRCA0004-010 05/01/2024

	Rates	Fringes
BRICKLAYER; MARBLE SETTER.....	\$ 45.53	20.29

*The wage scale for prevailing wage projects performed in Blythe, China lake, Death Valley, Fort Irwin, Twenty-Nine Palms, Needles and 1-15 corridor (Barstow to the Nevada State Line) will be Three Dollars (\$3.00) above the standard San Bernardino/Riverside County hourly wage rate

 BRCA0018-004 06/01/2023

	Rates	Fringes
MARBLE FINISHER.....	\$ 40.21	15.23
TILE FINISHER.....	\$ 34.78	13.64
TILE LAYER.....	\$ 48.29	19.18

 BRCA0018-010 09/01/2023

	Rates	Fringes
TERRAZZO FINISHER.....	\$ 39.95	14.65
TERRAZZO WORKER/SETTER.....	\$ 47.85	15.14

 CARP0213-001 07/01/2021

	Rates	Fringes
CARPENTER		
(1) Carpenter, Cabinet Installer, Insulation Installer, Hardwood Floor Worker and acoustical installer.....	\$ 51.60	16.28
(2) Millwright.....	\$ 52.10	16.48
(3) Piledrivermen/Derrick Bargeman, Bridge or Dock Carpenter, Heavy Frammer, Rock Bargeman or Scowman, Rockslinger, Shingler (Commercial).....	\$ 51.73	16.28
(4) Pneumatic Nailer, Power Stapler.....	\$ 51.85	16.28
(5) Sawfiler.....	\$ 51.69	16.28
(6) Scaffold Builder.....	\$ 42.80	16.28
(7) Table Power Saw Operator.....	\$ 51.70	16.28

FOOTNOTE: Work of forming in the construction of open cut sewers or storm drains, on operations in which horizontal lagging is used in conjunction with steel H-Beams driven or placed in pre- drilled holes, for that portion of a lagged trench against which concrete is poured, namely, as a substitute for back forms (which work is performed by piledrivers): \$0.13 per hour additional.

 CARP0213-004 07/01/2021

	Rates	Fringes
Drywall		
DRYWALL INSTALLER/LATHER....	\$ 51.60	16.28
STOCKER/SCRAPPER.....	\$ 22.16	8.62

 CARP0721-001 07/01/2021

	Rates	Fringes
Modular Furniture Installer.....	\$ 21.85	7.15

 ELEC0011-001 01/01/2024

COMMUNICATIONS AND SYSTEMS WORK

	Rates	Fringes
Communications System		
Installer.....	\$ 46.47	3%+17.08

SCOPE OF WORK:

Installation, testing, service and maintenance of systems utilizing the transmission and/or transference of voice, sound, vision and digital for commercial, educational, security and entertainment purposes for the following: TV monitoring and surveillance, background-foreground music, intercom and telephone interconnect, inventory control systems, microwave transmission, multi-media, multiplex, nurse call systems, radio page, school intercom and sound, burglar alarms, fire alarm (see last paragraph below) and low voltage master clock systems in commercial buildings. Communication Systems that transmit or receive information and/or control systems that are intrinsic to the above listed systems; inclusion or exclusion of terminations and testings of conductors determined by their function; excluding all other data systems or multiple systems which include control function or power supply; excluding installation of raceway systems, conduit systems, line voltage work, and energy management systems. Does not cover work performed at China Lake Naval Ordnance Test Station. Fire alarm work shall be performed at the current inside wireman total cost package.

 ELEC0441-001 01/01/2024

	Rates	Fringes
CABLE SPLICER.....	\$ 60.19	24.24
ELECTRICIAN.....	\$ 57.54	24.16

 * ELEC0441-003 06/26/2023

COMMUNICATIONS & SYSTEMS WORK (excludes any work on Intelligent Transportation Systems or CCTV highway systems)

	Rates	Fringes
Communications System		
Installer.....	\$ 44.33	16.43
Technician.....	\$ 31.23	15.39

SCOPE OF WORK The work covered shall include the installation, testing, service and maintenance, of the following systems that utilize the transmission and/or transference of voice, sound, vision and digital for commercial, education, security and entertainment purposes for TV monitoring and surveillance, background foreground music, intercom and telephone interconnect, inventory control systems, microwave transmission, multi-media, multiplex, nurse call system, radio page, school intercom and sound, burglar alarms and low voltage master clock systems.

A. Communication systems that transmit or receive information and/or control systems that are intrinsic to the above listed systems SCADA (Supervisory control/data acquisition

PCM (Pulse code modulation) Inventory control systems
Digital data systems Broadband & baseband and carriers
Point of sale systems VSAT data systems Data communication
systems RF and remote control systems Fiber optic data
systems

B. Sound and Voice Transmission/Transference Systems
Background-Foreground Music Intercom and Telephone
Interconnect Systems Sound and Musical Entertainment
Systems Nurse Call Systems Radio Page Systems School
Intercom and Sound Systems Burglar Alarm Systems
Low-Voltage Master Clock Systems Multi-Media/Multiplex
Systems Telephone Systems RF Systems and Antennas and Wave
Guide

C. *Fire Alarm Systems-installation, wire pulling and
testing.

D. Television and Video Systems Television Monitoring and
Surveillance Systems Video Security Systems Video
Entertainment Systems Video Educational Systems CATV and
CCTV

E. Security Systems, Perimeter Security Systems, Vibration
Sensor Systems
Sonar/Infrared Monitoring Equipment, Access Control Systems,
Card Access Systems

*Fire Alarm Systems

1. Fire Alarms-In Raceways: Wire and cable pulling in
raceways performed at the current electrician wage rate and
fringe benefits.
2. Fire Alarms-Open Wire Systems: installed by the Technician.

ELEC0441-004 01/01/2024

Rates Fringes

ELECTRICIAN (TRANSPORTATION
SYSTEMS, TRAFFIC SIGNALS &
STREET LIGHTING)

Cable Splicer/Fiber Optic		
Splicer.....	\$ 58.14	24.17
Electrician.....	\$ 57.54	24.16
Technician.....	\$ 43.16	23.72

SCOPE OF WORK: Electrical work on public streets, freeways,
toll-ways, etc, above or below ground. All work necessary
for the installation, renovation, repair or removal of
Intelligent Transportation Systems, Video Surveillance
Systems (CCTV), Street Lighting and and Traffic Signal work
or systems whether underground or on bridges. Includes
dusk to dawn lighting installations and ramps for access to
or egress from freeways, toll-ways, etc.

Intelligent Transportation Systems shall include all systems
and components to control, monitor, and communicate with
pedestrian or vehicular traffic, included but not limited
to: installation, modification, removal of all Fiber optic
Video System, Fiber Optic Data Systems, Direct interconnect
and Communications Systems, Microwave Data and Video
Systems, Infrared and Sonic Detection Systems, Solar Power
Systems, Highway Advisory Radio Systems, highway Weight and
Motion Systems, etc.

Any and all work required to install and maintain any

specialized or newly developed systems. All cutting, fitting and bandaging of ducts, raceways, and conduits. The cleaning, rodding and installation of "fish and pull wires". The excavation, setting, leveling and grouting of precast manholes, vaults, and pull boxes including ground rods or grounding systems, rock necessary for leveling and drainage as well as pouring of a concrete envelope if needed.

JOURNEYMAN TRANSPORTATION ELECTRICIAN shall perform all tasks necessary to install the complete transportation system. JOURNEYMAN TECHNICIAN duties shall consist of: Distribution of material at job site, manual excavation and backfill, installation of system conduits and raceways for electrical, telephone, cable television and communication systems. Pulling, terminating and splicing of traffic signal and street lighting conductors and electrical systems including interconnect, detector loop, fiber optic cable and video/data.

ELEC1245-001 06/01/2024

	Rates	Fringes
LINE CONSTRUCTION		
(1) Lineman; Cable splicer..	\$ 70.16	24.46
(2) Equipment specialist (operates crawler tractors, commercial motor vehicles, backhoes, trenchers, cranes (50 tons and below), overhead & underground distribution line equipment).....	\$ 53.30	22.01
(3) Groundman.....	\$ 40.76	21.51
(4) Powderman.....	\$ 51.87	18.79

HOLIDAYS: New Year's Day, M.L. King Day, Memorial Day, Independence Day, Labor Day, Veterans Day, Thanksgiving Day and day after Thanksgiving, Christmas Day

ELEV0018-001 01/01/2024

	Rates	Fringes
ELEVATOR MECHANIC.....	\$ 66.63	37.885+a+b

FOOTNOTE:

- a. PAID VACATION: Employer contributes 8% of regular hourly rate as vacation pay credit for employees with more than 5 years of service, and 6% for 6 months to 5 years of service.
- b. PAID HOLIDAYS: New Year's Day, Memorial Day, Independence Day, Labor Day, Veterans' Day, Thanksgiving Day, Friday after Thanksgiving, and Christmas Day.

ENGI0012-004 08/01/2024

	Rates	Fringes
OPERATOR: Power Equipment (DREDGING)		

(1) Leverman.....	\$ 64.10	38.75
(2) Dredge dozer.....	\$ 58.13	38.75
(3) Deckmate.....	\$ 58.02	38.75
(4) Winch operator (stern winch on dredge).....	\$ 57.47	38.75
(5) Fireman-Oiler, Deckhand, Bargeman, Leveehand.....	\$ 56.93	38.75
(6) Barge Mate.....	\$ 57.54	38.75

ENGI0012-024 07/01/2023

	Rates	Fringes
OPERATOR: Power Equipment (All Other Work)		
GROUP 1.....	\$ 53.90	32.80
GROUP 2.....	\$ 54.68	32.80
GROUP 3.....	\$ 54.97	32.80
GROUP 4.....	\$ 56.46	32.80
GROUP 6.....	\$ 56.68	32.80
GROUP 8.....	\$ 56.79	32.80
GROUP 10.....	\$ 56.91	32.80
GROUP 12.....	\$ 57.08	32.80
GROUP 13.....	\$ 57.18	32.80
GROUP 14.....	\$ 57.21	32.80
GROUP 15.....	\$ 57.29	32.80
GROUP 16.....	\$ 57.41	32.80
GROUP 17.....	\$ 57.58	32.80
GROUP 18.....	\$ 57.68	32.80
GROUP 19.....	\$ 57.79	32.80
GROUP 20.....	\$ 57.91	32.80
GROUP 21.....	\$ 58.08	32.80
GROUP 22.....	\$ 58.18	32.80
GROUP 23.....	\$ 58.29	32.80
GROUP 24.....	\$ 58.41	32.80
GROUP 25.....	\$ 58.58	32.80
OPERATOR: Power Equipment (Cranes, Piledriving & Hoisting)		
GROUP 1.....	\$ 55.25	32.80
GROUP 2.....	\$ 56.03	32.80
GROUP 3.....	\$ 56.32	32.80
GROUP 4.....	\$ 56.46	32.80
GROUP 5.....	\$ 56.68	32.80
GROUP 6.....	\$ 56.79	32.80
GROUP 7.....	\$ 56.91	32.80
GROUP 8.....	\$ 57.08	32.80
GROUP 9.....	\$ 57.25	32.80
GROUP 10.....	\$ 58.25	32.80
GROUP 11.....	\$ 59.25	32.80
GROUP 12.....	\$ 60.25	32.80
GROUP 13.....	\$ 61.25	32.80
OPERATOR: Power Equipment (Tunnel Work)		
GROUP 1.....	\$ 55.75	32.80
GROUP 2.....	\$ 56.53	32.80
GROUP 3.....	\$ 56.82	32.80
GROUP 4.....	\$ 56.96	32.80
GROUP 5.....	\$ 57.18	32.80
GROUP 6.....	\$ 57.29	32.80
GROUP 7.....	\$ 57.41	32.80

PREMIUM PAY:

\$10.00 per hour shall be paid on all Power Equipment Operator

work on the following Military Bases: China Lake Naval Reserve, Vandenberg AFB, Point Arguello, Seely Naval Base, Fort Irwin, Nebo Annex Marine Base, Marine Corp Logistics Base Yermo, Edwards AFB, 29 Palms Marine Base and Camp Pendleton

Workers required to suit up and work in a hazardous material environment: \$2.00 per hour additional. Combination mixer and compressor operator on gunite work shall be classified as a concrete mobile mixer operator.

SEE ZONE DEFINITIONS AFTER CLASSIFICATIONS

POWER EQUIPMENT OPERATORS CLASSIFICATIONS

GROUP 1: Bargeman; Brakeman; Compressor operator; Ditch Witch, with seat or similar type equipment; Elevator operator-inside; Engineer Oiler; Forklift operator (includes load, lull or similar types under 5 tons; Generator operator; Generator, pump or compressor plant operator; Pump operator; Signalman; Switchman

GROUP 2: Asphalt-rubber plant operator (nurse tank operator); Coil Tubing Rig Operator, Concrete mixer operator-skip type; Conveyor operator; Fireman; Forklift operator (includes load, lull or similar types over 5 tons; Hydrostatic pump operator; oiler crusher (asphalt or concrete plant); Petromat laydown machine; PJU side dump jack; Screening and conveyor machine operator (or similar types); Skiploader (wheel type up to 3/4 yd. without attachment); Tar pot fireman; Temporary heating plant operator; Trenching machine oiler

GROUP 3: Asphalt-rubber blend operator; Bobcat or similar type (Skid steer); Equipment greaser (rack); Ford Ferguson (with dragtype attachments); Helicopter radioman (ground); Stationary pipe wrapping and cleaning machine operator

GROUP 4: Asphalt plant fireman; Backhoe operator (mini-max or similar type); Boring machine operator; Boxman or mixerman (asphalt or concrete); Chip spreading machine operator; Concrete cleaning decontamination machine operator; Concrete Pump Operator (small portable); Direct Push Operator (Geoprobe or similar types) Drilling machine operator, small auger types (Texoma super economic or similar types - Hughes 100 or 200 or similar types - drilling depth of 30' maximum); Equipment greaser (grease truck); Guard rail post driver operator; Highline cableway signalman; Hydra-hammer-aero stomper; Micro Tunneling (above ground tunnel); Power concrete curing machine operator; Power concrete saw operator; Power-driven jumbo form setter operator; Power sweeper operator; Rock Wheel Saw/Trencher; Roller operator (compacting); Screed operator (asphalt or concrete); Trenching machine operator (up to 6 ft.); Vacuum or much truck

GROUP 6: Articulating material hauler; Asphalt plant engineer; Batch plant operator; Bit sharpener; Concrete joint machine operator (canal and similar type); Concrete planer operator; Dandy digger; Deck engine operator; Derrickman (oilfield type); Drilling machine operator, bucket or auger types (Calweld 100 bucket or similar types - Watson 1000 auger or similar types - Texoma 330, 500 or 600 auger or similar types - drilling depth of 45'

maximum); Drilling machine operator; Hydrographic seeder machine operator (straw, pulp or seed), Jackson track maintainer, or similar type; Kalamazoo Switch tamper, or similar type; Machine tool operator; Maginnis internal full slab vibrator, Mechanical berm, curb or gutter (concrete or asphalt); Mechanical finisher operator (concrete, Clary-Johnson-Bidwell or similar); Micro tunnel system (below ground); Pavement breaker operator (truck mounted); Road oil mixing machine operator; Roller operator (asphalt or finish), rubber-tired earth moving equipment (single engine, up to and including 25 yds. struck); Self-propelled tar pipelining machine operator; Skiploader operator (crawler and wheel type, over 3/4 yd. and up to and including 1-1/2 yds.); Slip form pump operator (power driven hydraulic lifting device for concrete forms); Tractor operator-bulldozer, tamper-scraper (single engine, up to 100 h.p. flywheel and similar types, up to and including D-5 and similar types); Tugger hoist operator (1 drum); Ultra high pressure waterjet cutting tool system operator; Vacuum blasting machine operator

GROUP 8: Asphalt or concrete spreading operator (tamping or finishing); Asphalt paving machine operator (Barber Greene or similar type); Asphalt-rubber distribution operator; Backhoe operator (up to and including 3/4 yd.), small ford, Case or similar types; Cable Bundling Machine Operator (excluding handheld); Cable Trenching Machine Operator (Spider Plow or similar types) Cast-in-place pipe laying machine operator; Combination mixer and compressor operator (gunite work); Compactor operator (self-propelled); Concrete mixer operator (paving); Crushing plant operator; Drill Doctor; Drilling machine operator, Bucket or auger types (Calweld 150 bucket or similar types - Watson 1500, 2000 2500 auger or similar types - Texoma 700, 800 auger or similar types - drilling depth of 60' maximum); Elevating grader operator; Grade checker; Gradall operator; Grouting machine operator; Heavy-duty repairman; Heavy equipment robotics operator; Kalamazoo balliste regulator or similar type; Kolman belt loader and similar type; Le Tourneau blob compactor or similar type; Loader operator (Athey, Euclid, Sierra and similar types); Mobark Chipper or similar; Ozzie padder or similar types; P.C. slot saw; Pneumatic concrete placing machine operator (Hackley-Presswell or similar type); Pumpcrete gun operator; RCM Cementing Unit Operator, Rail/Switch Grinder Operator (Harsco or similar types) Rock Drill or similar types; Rotary drill operator (excluding caisson type); Rubber-tired earth-moving equipment operator (single engine, caterpillar, Euclid, Athey Wagon and similar types with any and all attachments over 25 yds. up to and including 50 cu. yds. struck); Rubber-tired earth-moving equipment operator (multiple engine up to and including 25 yds. struck); Rubber-tired scraper operator (self-loading paddle wheel type-John Deere, 1040 and similar single unit); Self-propelled curb and gutter machine operator; Shuttle buggy; Skiploader operator (crawler and wheel type over 1-1/2 yds. up to and including 6-1/2 yds.); Soil remediation plant operator; Surface heaters and planer operator; Tractor compressor drill combination operator; Tractor operator (any type larger than D-5 - 100 flywheel h.p. and over, or similar-bulldozer, tamper, scraper and push tractor single engine); Tractor operator (boom attachments), Traveling pipe wrapping, cleaning and bending machine operator; Trenching machine operator (over 6 ft. depth capacity, manufacturer's rating); trenching Machine with Road Miner

attachment (over 6 ft depth capacity): Ultra high pressure waterjet cutting tool system mechanic; Water pull (compaction) operator

GROUP 10: Drilling machine operator, Bucket or auger types (Calweld 200 B bucket or similar types-Watson 3000 or 5000 auger or similar types-Texoma 900 auger or similar types-drilling depth of 105' maximum); Dual drum mixer, dynamic compactor LDC350 (or similar types); Monorail locomotive operator (diesel, gas or electric); Motor patrol-blade operator (single engine); Multiple engine tractor operator (Euclid and similar type-except Quad 9 cat.); Rubber-tired earth-moving equipment operator (single engine, over 50 yds. struck); Pneumatic pipe ramming tool and similar types; Prestressed wrapping machine operator; Rubber-tired earth-moving equipment operator (single engine, over 50 yds. struck); Rubber tired earth moving equipment operator (multiple engine, Euclid, caterpillar and similar over 25 yds. and up to 50 yds. struck), Tower crane repairman; Tractor loader operator (crawler and wheel type over 6-1/2 yds.); Woods mixer operator (and similar Pugmill equipment)

GROUP 12: Auto grader operator; Automatic slip form operator; Drilling machine operator, bucket or auger types (Calweld, auger 200 CA or similar types - Watson, auger 6000 or similar types - Hughes Super Duty, auger 200 or similar types - drilling depth of 175' maximum); Hoe ram or similar with compressor; Mass excavator operator less tha 750 cu. yards; Mechanical finishing machine operator; Mobile form traveler operator; Motor patrol operator (multi-engine); Pipe mobile machine operator; Rubber-tired earth- moving equipment operator (multiple engine, Euclid, Caterpillar and similar type, over 50 cu. yds. struck); Rubber-tired self- loading scraper operator (paddle-wheel-auger type self-loading - two (2) or more units)

GROUP 13: Rubber-tired earth-moving equipment operator operating equipment with push-pull system (single engine, up to and including 25 yds. struck)

GROUP 14: Canal liner operator; Canal trimmer operator; Remote- control earth-moving equipment operator (operating a second piece of equipment: \$1.00 per hour additional); Wheel excavator operator (over 750 cu. yds.)

GROUP 15: Rubber-tired earth-moving equipment operator, operating equipment with push-pull system (single engine, Caterpillar, Euclid, Athey Wagon and similar types with any and all attachments over 25 yds. and up to and including 50 yds. struck); Rubber-tired earth-moving equipment operator, operating equipment with push-pull system (multiple engine-up to and including 25 yds. struck)

GROUP 16: Rubber-tired earth-moving equipment operator, operating equipment with push-pull system (single engine, over 50 yds. struck); Rubber-tired earth-moving equipment operator, operating equipment with push-pull system (multiple engine, Euclid, Caterpillar and similar, over 25 yds. and up to 50 yds. struck)

GROUP 17: Rubber-tired earth-moving equipment operator, operating equipment with push-pull system (multiple engine, Euclid, Caterpillar and similar, over 50 cu. yds. struck); Tandem tractor operator (operating crawler type tractors in

tandem - Quad 9 and similar type)

GROUP 18: Rubber-tired earth-moving equipment operator, operating in tandem (scrapers, belly dumps and similar types in any combination, excluding compaction units - single engine, up to and including 25 yds. struck)

GROUP 19: Rotex concrete belt operator (or similar types); Rubber-tired earth-moving equipment operator, operating in tandem (scrapers, belly dumps and similar types in any combination, excluding compaction units - single engine, Caterpillar, Euclid, Athey Wagon and similar types with any and all attachments over 25 yds. and up to and including 50 cu. yds. struck); Rubber-tired earth-moving equipment operator, operating in tandem (scrapers, belly dumps and similar types in any combination, excluding compaction units - multiple engine, up to and including 25 yds. struck)

GROUP 20: Rubber-tired earth-moving equipment operator, operating in tandem (scrapers, belly dumps and similar types in any combination, excluding compaction units - single engine, over 50 yds. struck); Rubber-tired earth-moving equipment operator, operating in tandem (scrapers, belly dumps, and similar types in any combination, excluding compaction units - multiple engine, Euclid, Caterpillar and similar, over 25 yds. and up to 50 yds. struck)

GROUP 21: Rubber-tired earth-moving equipment operator, operating in tandem (scrapers, belly dumps and similar types in any combination, excluding compaction units - multiple engine, Euclid, Caterpillar and similar type, over 50 cu. yds. struck)

GROUP 22: Rubber-tired earth-moving equipment operator, operating equipment with the tandem push-pull system (single engine, up to and including 25 yds. struck)

GROUP 23: Rubber-tired earth-moving equipment operator, operating equipment with the tandem push-pull system (single engine, Caterpillar, Euclid, Athey Wagon and similar types with any and all attachments over 25 yds. and up to and including 50 yds. struck); Rubber-tired earth-moving equipment operator, operating with the tandem push-pull system (multiple engine, up to and including 25 yds. struck)

GROUP 24: Rubber-tired earth-moving equipment operator, operating equipment with the tandem push-pull system (single engine, over 50 yds. struck); Rubber-tired earth-moving equipment operator, operating equipment with the tandem push-pull system (multiple engine, Euclid, Caterpillar and similar, over 25 yds. and up to 50 yds. struck)

GROUP 25: Concrete pump operator-truck mounted; Rubber-tired earth-moving equipment operator, operating equipment with the tandem push-pull system (multiple engine, Euclid, Caterpillar and similar type, over 50 cu. yds. struck); Spyder Excavator Operator, with all attachments

CRANES, PILEDIVING AND HOISTING EQUIPMENT CLASSIFICATIONS

GROUP 1: Engineer oiler; Fork lift operator (includes loed, lull or similar types)

GROUP 2: Truck crane oiler

GROUP 3: A-frame or winch truck operator; Ross carrier operator (jobsite)

GROUP 4: Bridge-type unloader and turntable operator; Helicopter hoist operator

GROUP 5: Hydraulic boom truck; Stinger crane (Austin-Western or similar type); Tugger hoist operator (1 drum)

GROUP 6: Bridge crane operator; Cretor crane operator; Hoist operator (Chicago boom and similar type); Lift mobile operator; Lift slab machine operator (Vagtborg and similar types); Material hoist and/or manlift operator; Polar gantry crane operator; Self Climbing scaffold (or similar type); Shovel, backhoe, dragline, clamshell operator (over 3/4 yd. and up to 5 cu. yds. mrc); Tugger hoist operator

GROUP 7: Pedestal crane operator; Shovel, backhoe, dragline, clamshell operator (over 5 cu. yds. mrc); Tower crane repair; Tugger hoist operator (3 drum)

GROUP 8: Crane operator (up to and including 25 ton capacity); Crawler transporter operator; Derrick barge operator (up to and including 25 ton capacity); Hoist operator, stiff legs, Guy derrick or similar type (up to and including 25 ton capacity); Shovel, backhoe, dragline, clamshell operator (over 7 cu. yds., M.R.C.)

GROUP 9: Crane operator (over 25 tons and up to and including 50 tons mrc); Derrick barge operator (over 25 tons up to and including 50 tons mrc); Highline cableway operator; Hoist operator, stiff legs, Guy derrick or similar type (over 25 tons up to and including 50 tons mrc); K-crane operator; Polar crane operator; Self erecting tower crane operator maximum lifting capacity ten tons

GROUP 10: Crane operator (over 50 tons and up to and including 100 tons mrc); Derrick barge operator (over 50 tons up to and including 100 tons mrc); Hoist operator, stiff legs, Guy derrick or similar type (over 50 tons up to and including 100 tons mrc), Mobile tower crane operator (over 50 tons, up to and including 100 tons M.R.C.);

GROUP 11: Crane operator (over 100 tons and up to and including 200 tons mrc); Derrick barge operator (over 100 tons up to and including 200 tons mrc); Hoist operator, stiff legs, Guy derrick or similar type (over 100 tons up to and including 200 tons mrc); Mobile tower crane operator (over 100 tons up to and including 200 tons mrc) ; Tower crane operator and tower gantry

GROUP 12: Crane operator (over 200 tons up to and including 300 tons mrc); Derrick barge operator (over 200 tons up to and including 300 tons mrc); Hoist operator, stiff legs, Guy derrick or similar type (over 200 tons, up to and including 300 tons mrc); Mobile tower crane operator (over 200 tons, up to and including 300 tons mrc)

GROUP 13: Crane operator (over 300 tons); Derrick barge operator (over 300 tons); Helicopter pilot; Hoist operator, stiff legs, Guy derrick or similar type (over 300 tons); Mobile tower crane operator (over 300 tons)

TUNNEL CLASSIFICATIONS

GROUP 1: Skiploader (wheel type up to 3/4 yd. without attachment)

GROUP 2: Power-driven jumbo form setter operator

GROUP 3: Dinkey locomotive or motorperson (up to and including 10 tons)

GROUP 4: Bit sharpener; Equipment greaser (grease truck); Slip form pump operator (power-driven hydraulic lifting device for concrete forms); Tugger hoist operator (1 drum); Tunnel locomotive operator (over 10 and up to and including 30 tons)

GROUP 5: Backhoe operator (up to and including 3/4 yd.); Small Ford, Case or similar; Drill doctor; Grouting machine operator; Heading shield operator; Heavy-duty repairperson; Loader operator (Athey, Euclid, Sierra and similar types); Mucking machine operator (1/4 yd., rubber-tired, rail or track type); Pneumatic concrete placing machine operator (Hackley-Presswell or similar type); Pneumatic heading shield (tunnel); Pumpcrete gun operator; Tractor compressor drill combination operator; Tugger hoist operator (2 drum); Tunnel locomotive operator (over 30 tons)

GROUP 6: Heavy Duty Repairman

GROUP 7: Tunnel mole boring machine operator

ENGINEERS ZONES

\$1.00 additional per hour for all of IMPERIAL County and the portions of KERN, RIVERSIDE & SAN BERNARDINO Counties as defined below:

That area within the following Boundary: Begin in San Bernardino County, approximately 3 miles NE of the intersection of I-15 and the California State line at that point which is the NW corner of Section 1, T17N,m R14E, San Bernardino Meridian. Continue W in a straight line to that point which is the SW corner of the northwest quarter of Section 6, T27S, R42E, Mt. Diablo Meridian. Continue North to the intersection with the Inyo County Boundary at that point which is the NE corner of the western half of the northern quarter of Section 6, T25S, R42E, MDM. Continue W along the Inyo and San Bernardino County boundary until the intersection with Kern County, as that point which is the SE corner of Section 34, T24S, R40E, MDM. Continue W along the Inyo and Kern County boundary until the intersection with Tulare County, at that point which is the SW corner of the SE quarter of Section 32, T24S, R37E, MDM. Continue W along the Kern and Tulare County boundary, until that point which is the NW corner of T25S, R32E, MDM. Continue S following R32E lines to the NW corner of T31S, R32E, MDM. Continue W to the NW corner of T31S, R31E, MDM. Continue S to the SW corner of T32S, R31E, MDM. Continue W to SW corner of SE quarter of Section 34, T32S, R30E, MDM. Continue S to SW corner of T11N, R17W, SBM. Continue E along south boundary of T11N, SBM to SW corner of T11N, R7W, SBM. Continue S to SW corner of T9N, R7W, SBM. Continue E along south boundary of T9N, SBM to SW corner of T9N, R1E, SBM. Continue S along west boundary of R1E, SMB to Riverside County line at the SW corner of T1S, R1E, SBM. Continue E along south

boundary of T1s, SBM (Riverside County Line) to SW corner of T1S, R10E, SBM. Continue S along west boundary of R10E, SBM to Imperial County line at the SW corner of T8S, R10E, SBM. Continue W along Imperial and Riverside county line to NW corner of T9S, R9E, SBM. Continue S along the boundary between Imperial and San Diego Counties, along the west edge of R9E, SBM to the south boundary of Imperial County/California state line. Follow the California state line west to Arizona state line, then north to Nevada state line, then continuing NW back to start at the point which is the NW corner of Section 1, T17N, R14E, SBM

\$1.00 additional per hour for portions of SAN LUIS OBISPO, KERN, SANTA BARBARA & VENTURA as defined below:

That area within the following Boundary: Begin approximately 5 miles north of the community of Cholame, on the Monterey County and San Luis Obispo County boundary at the NW corner of T25S, R16E, Mt. Diablo Meridian. Continue south along the west side of R16E to the SW corner of T30S, R16E, MDM. Continue E to SW corner of T30S, R17E, MDM. Continue S to SW corner of T31S, R17E, MDM. Continue E to SW corner of T31S, R18E, MDM. Continue S along West side of R18E, MDM as it crosses into San Bernardino Meridian numbering area and becomes R30W. Follow the west side of R30W, SBM to the SW corner of T9N, R30W, SBM. Continue E along the south edge of T9N, SBM to the Santa Barbara County and Ventura County boundary at that point which is the SW corner of Section 34. T9N, R24W, SBM, continue S along the Ventura County line to that point which is the SW corner of the SE quarter of Section 32, T7N, R24W, SBM. Continue E along the south edge of T7N, SBM to the SE corner to T7N, R21W, SBM. Continue N along East side of R21W, SBM to Ventura County and Kern County boundary at the NE corner of T8N, R21W. Continue W along the Ventura County and Kern County boundary to the SE corner of T9N, R21W. Continue North along the East edge of R21W, SBM to the NE corner of T12N, R21W, SBM. Continue West along the north edge of T12N, SBM to the SE corner of T32S, R21E, MDM. [T12N SBM is a thin strip between T11N SBM and T32S MDM]. Continue North along the East side of R21E, MDM to the Kings County and Kern County border at the NE corner of T25S, R21E, MDM, continue West along the Kings County and Kern County Boundary until the intersection of San Luis Obispo County. Continue west along the Kings County and San Luis Obispo County boundary until the intersection with Monterey County. Continue West along the Monterey County and San Luis Obispo County boundary to the beginning point at the NW corner of T25S, R16E, MDM.

\$2.00 additional per hour for INYO and MONO Counties and the Northern portion of SAN BERNARDINO County as defined below:

That area within the following Boundary: Begin at the intersection of the northern boundary of Mono County and the California state line at the point which is the center of Section 17, T10N, R22E, Mt. Diablo Meridian. Continue S then SE along the entire western boundary of Mono County, until it reaches Inyo County at the point which is the NE corner of the Western half of the NW quarter of Section 2, T8S, R29E, MDM. Continue SSE along the entire western boundary of Inyo County, until the intersection with Kern County at the point which is the SW corner of the SE 1/4 of Section 32, T24S, R37E, MDM. Continue E along the Inyo and Kern County boundary until the intersection with San Bernardino County at that point which is the SE corner of section 34, T24S, R40E, MDM. Continue E along

the Inyo and San Bernardino County boundary until the point which is the NE corner of the Western half of the NW quarter of Section 6, T25S, R42E, MDM. Continue S to that point which is the SW corner of the NW quarter of Section 6, T27S, R42E, MDM. Continue E in a straight line to the California and Nevada state border at the point which is the NW corner of Section 1, T17N, R14E, San Bernardino Meridian. Then continue NW along the state line to the starting point, which is the center of Section 18, T10N, R22E, MDM.

REMAINING AREA NOT DEFINED ABOVE RECIEVES BASE RATE

IRON0433-006 01/01/2024

	Rates	Fringes
IRONWORKER		
Fence Erector.....	\$ 42.53	26.26
Ornamental, Reinforcing and Structural.....	\$ 47.45	34.90

PREMIUM PAY:

\$9.00 additional per hour at the following locations:

China Lake Naval Test Station, Chocolate Mountains Naval Reserve-Niland, Edwards AFB, Fort Irwin Military Station, Fort Irwin Training Center-Goldstone, San Clemente Island, San Nicholas Island, Susanville Federal Prison, 29 Palms - Marine Corps, U.S. Marine Base - Barstow, U.S. Naval Air Facility - Sealey, Vandenberg AFB Army Defense Language Institute - Monterey, Fallon Air Base, Naval Post Graduate School - Monterey, Yermo Marine Corps Logistics Center
Port Hueneme, Port Mugu, U.S. Coast Guard Station - Two Rock

LAB00300-005 07/01/2024

	Rates	Fringes
Asbestos Removal Laborer.....	\$ 43.88	25.13

SCOPE OF WORK: Includes site mobilization, initial site cleanup, site preparation, removal of asbestos-containing material and toxic waste, encapsulation, enclosure and disposal of asbestos- containing materials and toxic waste by hand or with equipment or machinery; scaffolding, fabrication of temporary wooden barriers and assembly of decontamination stations.

LAB00345-001 07/01/2022

	Rates	Fringes
LABORER (GUNITE)		
GROUP 1.....	\$ 48.50	21.37
GROUP 2.....	\$ 47.55	21.37
GROUP 3.....	\$ 44.01	21.37

FOOTNOTE: GUNITE PREMIUM PAY: Workers working from a

Bosn'n's Chair or suspended from a rope or cable shall receive 40 cents per hour above the foregoing applicable classification rates. Workers doing gunite and/or shotcrete work in a tunnel shall receive 35 cents per hour above the foregoing applicable classification rates, paid on a portal-to-portal basis. Any work performed on, in or above any smoke stack, silo, storage elevator or similar type of structure, when such structure is in excess of 75'-0"" above base level and which work must be performed in whole or in part more than 75'-0"" above base level, that work performed above the 75'-0"" level shall be compensated for at 35 cents per hour above the applicable classification wage rate.

GUNITE LABORER CLASSIFICATIONS

GROUP 1: Rodmen, Nozzlemen

GROUP 2: Gunmen

GROUP 3: Reboundmen

LAB00652-001 07/01/2022

	Rates	Fringes
LABORER (TUNNEL)		
GROUP 1.....	\$ 45.68	23.30
GROUP 2.....	\$ 46.00	23.30
GROUP 3.....	\$ 46.46	23.30
GROUP 4.....	\$ 47.15	23.30
LABORER		
GROUP 1.....	\$ 36.39	21.04
GROUP 2.....	\$ 36.94	21.04
GROUP 3.....	\$ 37.49	21.04
GROUP 4.....	\$ 39.04	21.04
GROUP 5.....	\$ 39.39	21.04

LABORER CLASSIFICATIONS

GROUP 1: Cleaning and handling of panel forms; Concrete screeding for rough strike-off; Concrete, water curing; Demolition laborer, the cleaning of brick if performed by a worker performing any other phase of demolition work, and the cleaning of lumber; Fire watcher, limber, brush loader, piler and debris handler; Flag person; Gas, oil and/or water pipeline laborer; Laborer, asphalt-rubber material loader; Laborer, general or construction; Laborer, general clean-up; Laborer, landscaping; Laborer, jetting; Laborer, temporary water and air lines; Material hose operator (walls, slabs, floors and decks); Plugging, filling of shee bolt holes; Dry packing of concrete; Railroad maintenance, repair track person and road beds; Streetcar and railroad construction track laborers; Rigging and signaling; Scaler; Slip form raiser; Tar and mortar; Tool crib or tool house laborer; Traffic control by any method; Window cleaner; Wire mesh pulling - all concrete pouring operations

GROUP 2: Asphalt shoveler; Cement dumper (on 1 yd. or larger mixer and handling bulk cement); Cesspool digger and installer; Chucktender; Chute handler, pouring concrete, the handling of the chute from readymix trucks, such as walls, slabs, decks, floors, foundation, footings, curbs, gutters and sidewalks; Concrete curer, impervious membrane

and form oiler; Cutting torch operator (demolition); Fine grader, highways and street paving, airport, runways and similar type heavy construction; Gas, oil and/or water pipeline wrapper - pot tender and form person; Guinea chaser; Headerboard person - asphalt; Laborer, packing rod steel and pans; Membrane vapor barrier installer; Power broom sweeper (small); Riprap stonepaver, placing stone or wet sacked concrete; Roto scraper and tiller; Sandblaster (pot tender); Septic tank digger and installer(lead); Tank scaler and cleaner; Tree climber, faller, chain saw operator, Pittsburgh chipper and similar type brush shredder; Underground laborer, including caisson bellower

GROUP 3: Buggymobile person; Concrete cutting torch; Concrete pile cutter; Driller, jackhammer, 2-1/2 ft. drill steel or longer; Dri-pak-it machine; Gas, oil and/or water pipeline wrapper, 6-in. pipe and over, by any method, inside and out; High scaler (including drilling of same); Hydro seeder and similar type; Impact wrench multi-plate; Kettle person, pot person and workers applying asphalt, lay-kold, creosote, lime caustic and similar type materials ("applying" means applying, dipping, brushing or handling of such materials for pipe wrapping and waterproofing); Operator of pneumatic, gas, electric tools, vibrating machine, pavement breaker, air blasting, come-alongs, and similar mechanical tools not separately classified herein; Pipelayer's backup person, coating, grouting, making of joints, sealing, caulking, diapering and including rubber gasket joints, pointing and any and all other services; Rock slinger; Rotary scarifier or multiple head concrete chipping scarifier; Steel headerboard and guideline setter; Tamper, Barko, Wacker and similar type; Trenching machine, hand-propelled

GROUP 4: Asphalt raker, lute person, ironer, asphalt dump person, and asphalt spreader boxes (all types); Concrete core cutter (walls, floors or ceilings), grinder or sander; Concrete saw person, cutting walls or flat work, scoring old or new concrete; Cribber, shorer, lagging, sheeting and trench bracing, hand-guided lagging hammer; Head rock slinger; Laborer, asphalt- rubber distributor boot person; Laser beam in connection with laborers' work; Oversize concrete vibrator operator, 70 lbs. and over; Pipelayer performing all services in the laying and installation of pipe from the point of receiving pipe in the ditch until completion of operation, including any and all forms of tubular material, whether pipe, metallic or non-metallic, conduit and any other stationary type of tubular device used for the conveying of any substance or element, whether water, sewage, solid gas, air, or other product whatsoever and without regard to the nature of material from which the tubular material is fabricated; No-joint pipe and stripping of same; Prefabricated manhole installer; Sandblaster (nozzle person), water blasting, Porta Shot-Blast

GROUP 5: Blaster powder, all work of loading holes, placing and blasting of all powder and explosives of whatever type, regardless of method used for such loading and placing; Driller: All power drills, excluding jackhammer, whether core, diamond, wagon, track, multiple unit, and any and all other types of mechanical drills without regard to the form of motive power; Toxic waste removal

TUNNEL LABORER CLASSIFICATIONS

GROUP 1: Batch plant laborer; Changehouse person; Dump person; Dump person (outside); Swamper (brake person and switch person on tunnel work); Tunnel materials handling person; Nipper; Pot tender, using mastic or other materials (for example, but not by way of limitation, shotcrete, etc.)

GROUP 2: Chucktender, cabetender; Loading and unloading agitator cars; Vibrator person, jack hammer, pneumatic tools (except driller); Bull gang mucker, track person; Concrete crew, including rodder and spreader

GROUP 3: Blaster, driller, powder person; Chemical grout jet person; Cherry picker person; Grout gun person; Grout mixer person; Grout pump person; Jackleg miner; Jumbo person; Kemper and other pneumatic concrete placer operator; Miner, tunnel (hand or machine); Nozzle person; Operating of troweling and/or grouting machines; Powder person (primer house); Primer person; Sandblaster; Shotcrete person; Steel form raiser and setter; Timber person, retimber person, wood or steel; Tunnel Concrete finisher

GROUP 4: Diamond driller; Sandblaster; Shaft and raise work

LAB00652-003 07/01/2022

	Rates	Fringes
Brick Tender.....	\$ 37.32	21.45

LAB01184-001 07/01/2022

	Rates	Fringes
Laborers: (HORIZONTAL DIRECTIONAL DRILLING)		
(1) Drilling Crew Laborer...	\$ 40.69	18.25
(2) Vehicle Operator/Hauler.	\$ 40.86	18.25
(3) Horizontal Directional Drill Operator.....	\$ 42.71	18.25
(4) Electronic Tracking Locator.....	\$ 44.71	18.25
Laborers: (STRIPING/SLURRY SEAL)		
GROUP 1.....	\$ 41.90	21.32
GROUP 2.....	\$ 43.20	21.32
GROUP 3.....	\$ 45.21	21.32
GROUP 4.....	\$ 46.95	21.32

LABORERS - STRIPING CLASSIFICATIONS

GROUP 1: Protective coating, pavement sealing, including repair and filling of cracks by any method on any surface in parking lots, game courts and playgrounds; carstops; operation of all related machinery and equipment; equipment repair technician

GROUP 2: Traffic surface abrasive blaster; pot tender - removal of all traffic lines and markings by any method (sandblasting, waterblasting, grinding, etc.) and preparation of surface for coatings. Traffic control person: controlling and directing traffic through both conventional and moving lane closures; operation of all related machinery and equipment

GROUP 3: Traffic delineating device applicator: Layout and application of pavement markers, delineating signs, rumble and traffic bars, adhesives, guide markers, other traffic delineating devices including traffic control. This category includes all traffic related surface preparation (sandblasting, waterblasting, grinding) as part of the application process. Traffic protective delineating system installer: removes, relocates, installs, permanently affixed roadside and parking delineation barricades, fencing, cable anchor, guard rail, reference signs, monument markers; operation of all related machinery and equipment; power broom sweeper

GROUP 4: Striper: layout and application of traffic stripes and markings; hot thermo plastic; tape traffic stripes and markings, including traffic control; operation of all related machinery and equipment

LAB01414-001 08/03/2022

	Rates	Fringes
LABORER		
PLASTER CLEAN-UP LABORER....	\$ 38.92	23.32
PLASTER TENDER.....	\$ 41.47	23.32

Work on a swing stage scaffold: \$1.00 per hour additional.

PAIN0036-001 07/01/2023

	Rates	Fringes
Painters: (Including Lead Abatement)		
(1) Repaint (excludes San Diego County).....	\$ 29.59	17.12
(2) All Other Work.....	\$ 38.52	18.64

REPAINT of any previously painted structure. Exceptions: work involving the aerospace industry, breweries, commercial recreational facilities, hotels which operate commercial establishments as part of hotel service, and sports facilities.

PAIN0036-008 09/01/2024

	Rates	Fringes
DRYWALL FINISHER/TAPER.....	\$ 49.33	26.82

PAIN0036-015 01/01/2020

	Rates	Fringes
GLAZIER.....	\$ 43.45	23.39

FOOTNOTE: Additional \$1.25 per hour for work in a condor, from the third (3rd) floor and up Additional \$1.25 per hour for work on the outside of the building from a swing stage or any suspended contrivance, from the ground up

PAIN1247-002 01/01/2024

	Rates	Fringes
SOFT FLOOR LAYER.....	\$ 43.20	18.03

PLAS0200-009 08/03/2022

	Rates	Fringes
PLASTERER.....	\$ 47.37	19.64

PLAS0500-002 07/01/2023

	Rates	Fringes
CEMENT MASON/CONCRETE FINISHER...	\$ 44.00	27.11

* PLUM0016-001 09/01/2024

	Rates	Fringes
PLUMBER/PIPEFITTER Work ONLY on new additions and remodeling of bars, restaurant, stores and commercial buildings not to exceed 5,000 sq. ft. of floor space.....	\$ 57.67	25.63

Work ONLY on strip malls, light commercial, tenant improvement and remodel work.....	\$ 44.24	23.96
---	----------	-------

All other work except work on new additions and remodeling of bars, restaurant, stores and commercial buildings not to exceed 5,000 sq. ft. of floor space and work on strip malls, light commercial, tenant improvement and remodel work.....	\$ 59.48	26.61
--	----------	-------

PLUM0345-001 09/01/2023

	Rates	Fringes
PLUMBER Landscape/Irrigation Fitter..	\$ 40.20	25.90
Sewer & Storm Drain Work....	\$ 44.29	23.28

ROOF0036-002 08/01/2024

	Rates	Fringes
ROOFER.....	\$ 49.43	20.58

FOOTNOTE: Pitch premium: Work on which employees are exposed to pitch fumes or required to handle pitch, pitch base or pitch impregnated products, or any material containing coal tar pitch, the entire roofing crew shall receive \$1.75 per hour ""pitch premium"" pay.

SFCA0669-008 01/01/2024

DOES NOT INCLUDE SAN CLEMENTE ISLAND, THE CITY OF SANTA ANA, AND THAT PART OF ORANGE COUNTY WITHIN 25 MILES OF THE CITY LIMITS OF LOS ANGELES:

	Rates	Fringes
SPRINKLER FITTER.....	\$ 45.31	27.91

SFCA0709-003 09/01/2023

SAN CLEMENTE ISLAND, THE CITY OF SANTA ANA, AND THAT PART OF ORANGE COUNTY WITHIN 25 MILES BEYOND THE CITY LIMITS OF LOS ANGELES:

	Rates	Fringes
SPRINKLER FITTER (Fire).....	\$ 54.29	32.00

SHEE0105-003 07/01/2024

LOS ANGELES (South of a straight line drawn between Gorman and Big Pines)and Catalina Island, INYO, KERN (Northeast part, East of Hwy 395), MONO ORANGE, RIVERSIDE, AND SAN BERNARDINO COUNTIES

	Rates	Fringes
SHEET METAL WORKER		
(1) Commercial - New Construction and Remodel work.....	\$ 59.40	30.34
(2) Industrial work including air pollution control systems, noise abatement, hand rails, guard rails, excluding aritechtrual sheet metal work, excluding A-C, heating, ventilating systems for human comfort...	\$ 56.95	30.04

TEAM0011-002 07/01/2024

	Rates	Fringes
TRUCK DRIVER		
GROUP 1.....	\$ 39.59	34.34
GROUP 2.....	\$ 39.74	34.34
GROUP 3.....	\$ 39.87	34.34
GROUP 4.....	\$ 40.06	34.34
GROUP 5.....	\$ 40.09	34.34
GROUP 6.....	\$ 40.12	34.34
GROUP 7.....	\$ 40.37	34.34
GROUP 8.....	\$ 40.62	34.34
GROUP 9.....	\$ 40.82	34.34
GROUP 10.....	\$ 41.12	34.34
GROUP 11.....	\$ 41.62	34.34
GROUP 12.....	\$ 42.05	34.34

WORK ON ALL MILITARY BASES:
PREMIUM PAY: \$3.00 per hour additional.

[29 palms Marine Base, Camp Roberts, China Lake, Edwards AFB, El Centro Naval Facility, Fort Irwin, Marine Corps Logistics Base at Nebo & Yermo, Mountain Warfare Training Center, Bridgeport, Point Arguello, Point Conception, Vandenberg AFB]

TRUCK DRIVERS CLASSIFICATIONS

GROUP 1: Truck driver

GROUP 2: Driver of vehicle or combination of vehicles - 2 axles; Traffic control pilot car excluding moving heavy equipment permit load; Truck mounted broom

GROUP 3: Driver of vehicle or combination of vehicles - 3 axles; Boot person; Cement mason distribution truck; Fuel truck driver; Water truck - 2 axle; Dump truck, less than 16 yds. water level; Erosion control driver

GROUP 4: Driver of transit mix truck, under 3 yds.; Dumpcrete truck, less than 6-1/2 yds. water level

GROUP 5: Water truck, 3 or more axles; Truck greaser and tire person (\$0.50 additional for tire person); Pipeline and utility working truck driver, including winch truck and plastic fusion, limited to pipeline and utility work; Slurry truck driver

GROUP 6: Transit mix truck, 3 yds. or more; Dumpcrete truck, 6-1/2 yds. water level and over; Vehicle or combination of vehicles - 4 or more axles; Oil spreader truck; Dump truck, 16 yds. to 25 yds. water level

GROUP 7: A Frame, Swedish crane or similar; Forklift driver; Ross carrier driver

GROUP 8: Dump truck, 25 yds. to 49 yds. water level; Truck repair person; Water pull - single engine; Welder

GROUP 9: Truck repair person/welder; Low bed driver, 9 axles or over

GROUP 10: Dump truck - 50 yds. or more water level; Water pull - single engine with attachment

GROUP 11: Water pull - twin engine; Water pull - twin engine with attachments; Winch truck driver - \$1.25 additional when operating winch or similar special attachments

GROUP 12: Boom Truck 17K and above

WELDERS - Receive rate prescribed for craft performing operation to which welding is incidental.

=====
Note: Executive Order (EO) 13706, Establishing Paid Sick Leave for Federal Contractors applies to all contracts subject to the Davis-Bacon Act for which the contract is awarded (and any solicitation was issued) on or after January 1, 2017. If this contract is covered by the EO, the contractor must provide

employees with 1 hour of paid sick leave for every 30 hours they work, up to 56 hours of paid sick leave each year. Employees must be permitted to use paid sick leave for their own illness, injury or other health-related needs, including preventive care; to assist a family member (or person who is like family to the employee) who is ill, injured, or has other health-related needs, including preventive care; or for reasons resulting from, or to assist a family member (or person who is like family to the employee) who is a victim of, domestic violence, sexual assault, or stalking. Additional information on contractor requirements and worker protections under the EO is available at <https://www.dol.gov/agencies/whd/government-contracts>.

Unlisted classifications needed for work not included within the scope of the classifications listed may be added after award only as provided in the labor standards contract clauses (29CFR 5.5 (a) (1) (iii)).

The body of each wage determination lists the classification and wage rates that have been found to be prevailing for the cited type(s) of construction in the area covered by the wage determination. The classifications are listed in alphabetical order of ""identifiers"" that indicate whether the particular rate is a union rate (current union negotiated rate for local), a survey rate (weighted average rate) or a union average rate (weighted union average rate).

Union Rate Identifiers

A four letter classification abbreviation identifier enclosed in dotted lines beginning with characters other than ""SU"" or ""UAVG"" denotes that the union classification and rate were prevailing for that classification in the survey. Example: PLUM0198-005 07/01/2014. PLUM is an abbreviation identifier of the union which prevailed in the survey for this classification, which in this example would be Plumbers. 0198 indicates the local union number or district council number where applicable, i.e., Plumbers Local 0198. The next number, 005 in the example, is an internal number used in processing the wage determination. 07/01/2014 is the effective date of the most current negotiated rate, which in this example is July 1, 2014.

Union prevailing wage rates are updated to reflect all rate changes in the collective bargaining agreement (CBA) governing this classification and rate.

Survey Rate Identifiers

Classifications listed under the ""SU"" identifier indicate that no one rate prevailed for this classification in the survey and the published rate is derived by computing a weighted average rate based on all the rates reported in the survey for that classification. As this weighted average rate includes all rates reported in the survey, it may include both union and non-union rates. Example: SULA2012-007 5/13/2014. SU indicates the rates are survey rates based on a weighted average calculation of rates and are not majority rates. LA indicates the State of Louisiana. 2012 is the year of survey on which these classifications and rates are based. The next number, 007

in the example, is an internal number used in producing the wage determination. 5/13/2014 indicates the survey completion date for the classifications and rates under that identifier.

Survey wage rates are not updated and remain in effect until a new survey is conducted.

Union Average Rate Identifiers

Classification(s) listed under the UAVG identifier indicate that no single majority rate prevailed for those classifications; however, 100% of the data reported for the classifications was union data. EXAMPLE: UAVG-OH-0010 08/29/2014. UAVG indicates that the rate is a weighted union average rate. OH indicates the state. The next number, 0010 in the example, is an internal number used in producing the wage determination. 08/29/2014 indicates the survey completion date for the classifications and rates under that identifier.

A UAVG rate will be updated once a year, usually in January of each year, to reflect a weighted average of the current negotiated/CBA rate of the union locals from which the rate is based.

State Adopted Rate Identifiers

Classifications listed under the ""SA"" identifier indicate that the prevailing wage rate set by a state (or local) government was adopted under 29 C.F.R. 1.3(g)-(h). Example: SAME2023-007 01/03/2024. SA reflects that the rates are state adopted. ME refers to the State of Maine. 2023 is the year during which the state completed the survey on which the listed classifications and rates are based. The next number, 007 in the example, is an internal number used in producing the wage determination. 01/03/2024 reflects the date on which the classifications and rates under the ?SA? identifier took effect under state law in the state from which the rates were adopted.

WAGE DETERMINATION APPEALS PROCESS

1.) Has there been an initial decision in the matter? This can be:

- * an existing published wage determination
- * a survey underlying a wage determination
- * a Wage and Hour Division letter setting forth a position on a wage determination matter
- * a conformance (additional classification and rate) ruling

On survey related matters, initial contact, including requests for summaries of surveys, should be with the Wage and Hour National Office because National Office has responsibility for the Davis-Bacon survey program. If the response from this initial contact is not satisfactory, then the process described in 2.) and 3.) should be followed.

With regard to any other matter not yet ripe for the formal process described here, initial contact should be with the Branch of Construction Wage Determinations. Write to:

Branch of Construction Wage Determinations
Wage and Hour Division
U.S. Department of Labor

200 Constitution Avenue, N.W.
Washington, DC 20210

2.) If the answer to the question in 1.) is yes, then an interested party (those affected by the action) can request review and reconsideration from the Wage and Hour Administrator (See 29 CFR Part 1.8 and 29 CFR Part 7). Write to:

Wage and Hour Administrator
U.S. Department of Labor
200 Constitution Avenue, N.W.
Washington, DC 20210

The request should be accompanied by a full statement of the interested party's position and by any information (wage payment data, project description, area practice material, etc.) that the requestor considers relevant to the issue.

3.) If the decision of the Administrator is not favorable, an interested party may appeal directly to the Administrative Review Board (formerly the Wage Appeals Board). Write to:

Administrative Review Board
U.S. Department of Labor
200 Constitution Avenue, N.W.
Washington, DC 20210

4.) All decisions by the Administrative Review Board are final.

=====

END OF GENERAL DECISION"