

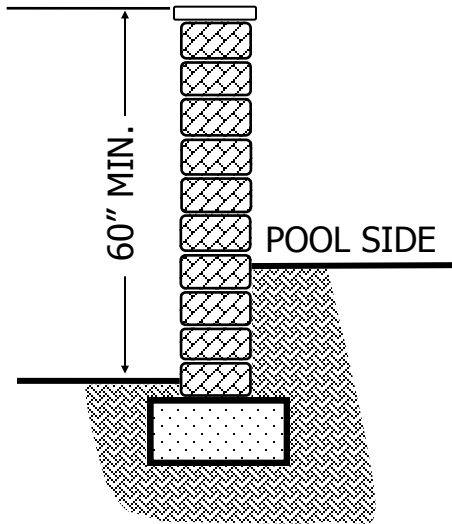
SWIMMING POOL FENCING

S



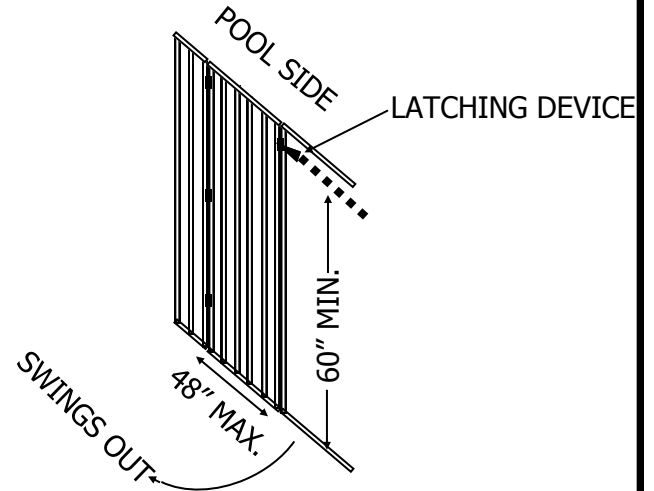
CITY OF FULLERTON
COMMUNITY AND ECONOMIC DEVELOPMENT DEPARTMENT
303 W. COMMONWEALTH AVENUE
FULLERTON CA 92832
(714) 738-6541

Below are examples of some of the requirements listed in the Residential Pool Safety Requirements handout



GENERAL BARRIER HEIGHT REQUIREMENT

ACCESS GATE** (SELF CLOSING/LATCHING)



*IF MIN. HEIGHT TO LATCH CANNOT BE MET, LATCH MUST BE ON POOL SIDE & NO OPENINGS GREATER THAN 1/2" WITHIN 18" OF THE RELEASE MECHANISM

** RESTRICTIONS ALSO APPLY TO GARAGE MAN DOOR IN DIRECT COMMUNICATION FROM THE STREET TO THE POOL ENCLOSURE AREA

FENCING CONDITIONS

